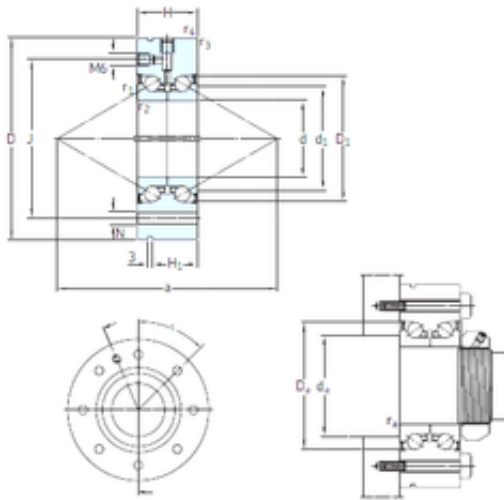




NTN Bearing Manufacturing



BEAM 12/55/Z 7P60 Bearing 2D drawings and 3D CAD models

SNFA BEAM 12/55/Z 7P60 thrust ball bearings

Bearing No. BEAM 12/55/Z 7P60

Size	12x55x25 mm
Bore Diameter	12 mm
Outer Diameter	55 mm
Width	25 mm
d	12 mm
D	55 mm
H	25 mm
a	56 mm
d1	25 mm
r1 min.	0,3 mm
r2 min.	0,3 mm
r3 min.	0,6 mm
r4 min.	0,6 mm
D1	33,5 mm
H1	17 mm
J	42 mm
N	6,8 mm
Thread (G)	M6
Bolt (G)	3x120 °
da max	16 mm
Da max.	33 mm
ra max.	0,6 mm
Weight	0,37 Kg
Basic dynamic load rating (C)	16,8 kN
Basic static load rating (C0)	24,5 kN
Fatigue load limit (Pu)	0,915



NTN Bearing Manufacturing