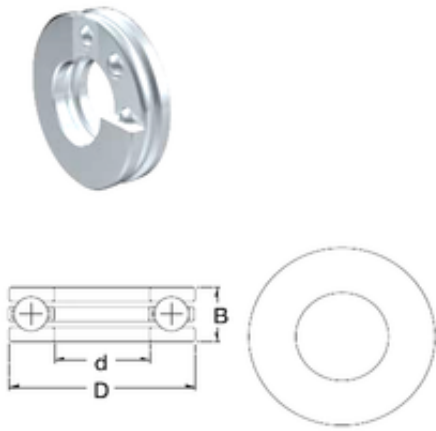




NTN Bearing Manufacturing

ZEN B4 thrust ball bearings

Bearing No. B4



Size	4x10x4 mm
Bore Diameter	4 mm
Outer Diameter	10 mm
Width	4 mm
d	4 mm
D	10 mm
H	4 mm
Basic dynamic load rating (C)	0,602 kN
Basic static load rating (C0)	0,611 kN

B4 Bearing 2D drawings and 3D CAD models