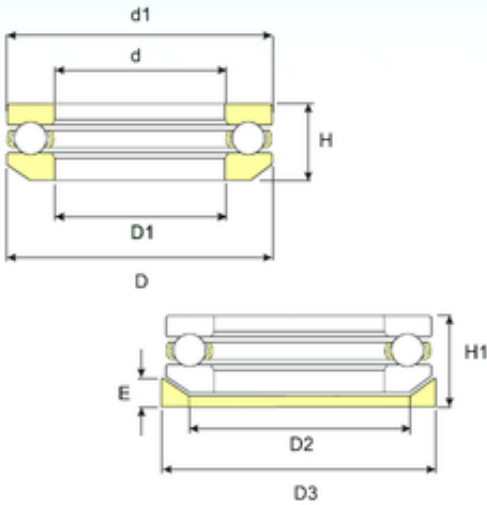




# NTN Bearing Manufacturing



53228 U 228 Bearing 2D drawings and 3D CAD models

## ISB 53228 U 228 thrust ball bearings

Bearing No. 53228 U 228

Size	140x200x48.6 mm
Bore Diameter	140 mm
Outer Diameter	200 mm
Width	48,6 mm
d	140 mm
D	200 mm
H	48,6 mm
d1	197 mm
D1	143 mm
D2	170 mm
D3	210 mm
E	17 mm
H1	55 mm
Weight	5,45 Kg
Basic dynamic load rating (C)	186 kN
Basic static load rating (C0)	608 kN
(Grease) Lubrication Speed	1454 r/min