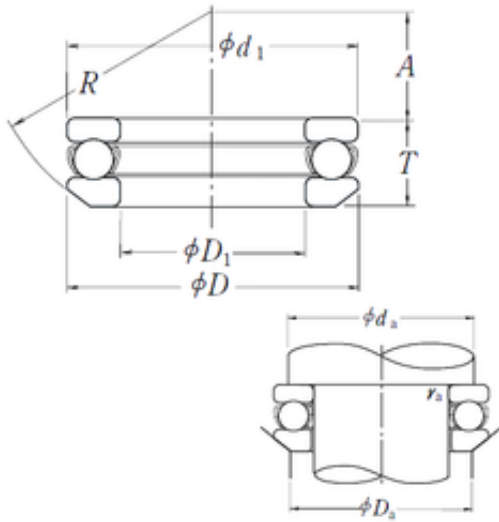




NTN Bearing Manufacturing



NSK 53406 thrust ball bearings

Bearing No. 53406

Size	30x70x30.1 mm
Bore Diameter	30 mm
Outer Diameter	70 mm
Width	30,1 mm
d	30 mm
D	70 mm
T	30,1 mm
d1	70 mm
r min.	1 mm
A	20 mm
D1	32 mm
R	56 mm
da min.	54 mm
Da max.	46 mm
ra max.	1 mm
Weight	0,535 Kg
Basic dynamic load rating (C)	73 kN
Basic static load rating (C0)	126 kN
(Grease) Lubrication Speed	2200 r/min
Category	Thrust Ball Bearing
Inventory	0.0
Manufacturer Name	NSK
Minimum Buy Quantity	N/A
Weight / Kilogram	0.66
Product Group	B00308
Rolling Element	Ball Bearing

53406 Bearing 2D drawings and 3D CAD models



NTN Bearing Manufacturing

Thrust Bearing	Yes
Single or Double Direction	Single Direction
Banded	No
Cage Material	Steel
Precision Class	Non-Precision
Component Description	Roller Assembly Plus Raceways
Other Features	Single Row With Aligning Seat
Long Description	30MM Bore 1; 32MM Bore 2; 70MM Outside Diameter; 30.1MM Height; Ball Bearing; Single Direction; Not Banded; Steel Cage; Non-Precision
Inch - Metric	Metric
Category	Thrust Ball Bearings
UNSPSC	31171552
Harmonized Tariff Code	8482.10.50.08
Noun	Bearing
Keyword String	Ball Thrust
Manufacturer URL	http://www.nskamericas.com
Weight / LBS	1.17947
Height	1.185 Inch 30.1 Millimeter
Bore 1	1.181 Inch 30 Millimeter
Outside Diameter	2.756 Inch 70 Millimeter
Bore 2	1.26 Inch 32 Millimeter
Overall Height with Aligning Washer	0 Inch 0 Millimeter
SRI	7.7
hidYobi	53406
LangID	1
D_	70
SREX	0.065



NTN Bearing Manufacturing

C	73
B_	30.1
hidTable	ecat_NSSDTB
Oil rpm	3400
SRE	7.7
mass	0.535
GRS rpm	2200
ra	1
SRIX	0.065
D_a	46
SRIN	0
C0	126
SREN	0
D_1	32
Prod_Type3	TB_SD_WAS
da	54
DA_	14.288
Z_	10
yobi	53406
A_	20
T3	30.1
SDM_	50
r	1
KBRG	5121
R_	56