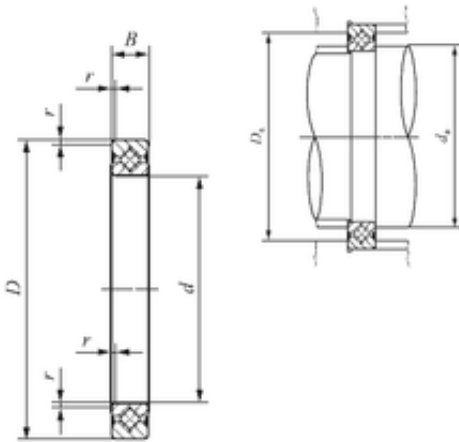




NTN Bearing Manufacturing

80 mm x 96 mm x 8 mm IKO CRBS 808 V thrust roller bearings

Bearing No. CRBS 808 V



CRBS 808 V Bearing 2D drawings and 3D CAD models

Size	80x96x8 mm
Bore Diameter	80 mm
Outer Diameter	96 mm
Width	8 mm
d	80 mm
D	96 mm
B	8 mm
r min.	0.4 mm
Da	91 mm
da	84 mm
Weight	0,122 Kg
Basic dynamic load rating (C)	8,79 kN