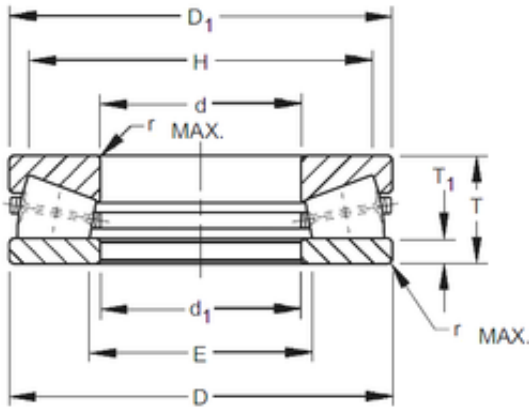




# NTN Bearing Manufacturing

## Timken G-3272-C thrust roller bearings

Bearing No. G-3272-C



G-3272-C Bearing 2D drawings and 3D CAD models

Size	304.775x609.6x114.3 mm
Bore Diameter	304,775 mm
Outer Diameter	609,6 mm
Width	114,3 mm
d	304,775 mm
D	609,6 mm
T	114,3 mm
r max	6,4 mm
T1	28,58 mm
d1	307,18 mm
D1	606,81 mm
E	342,9 mm
H	565,2 mm